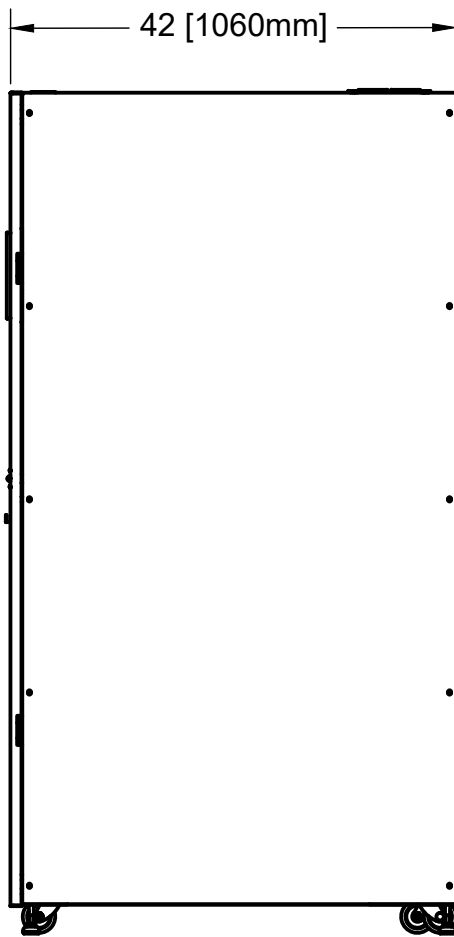
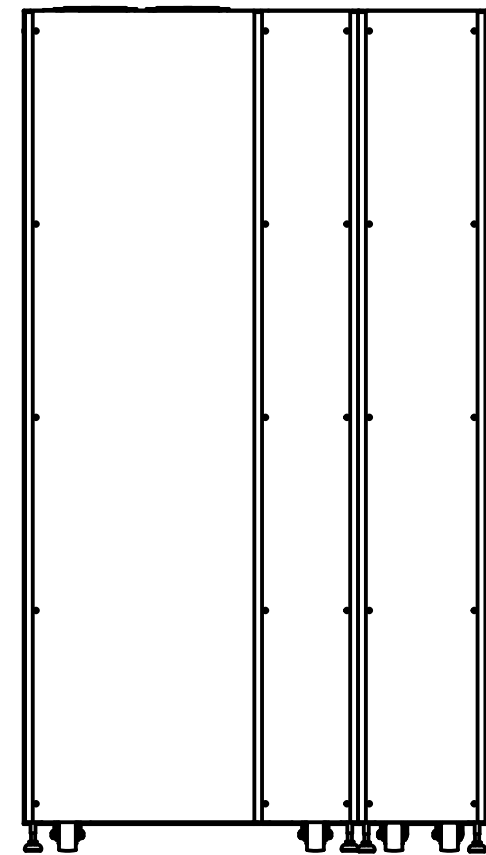


Front



Side



Rear

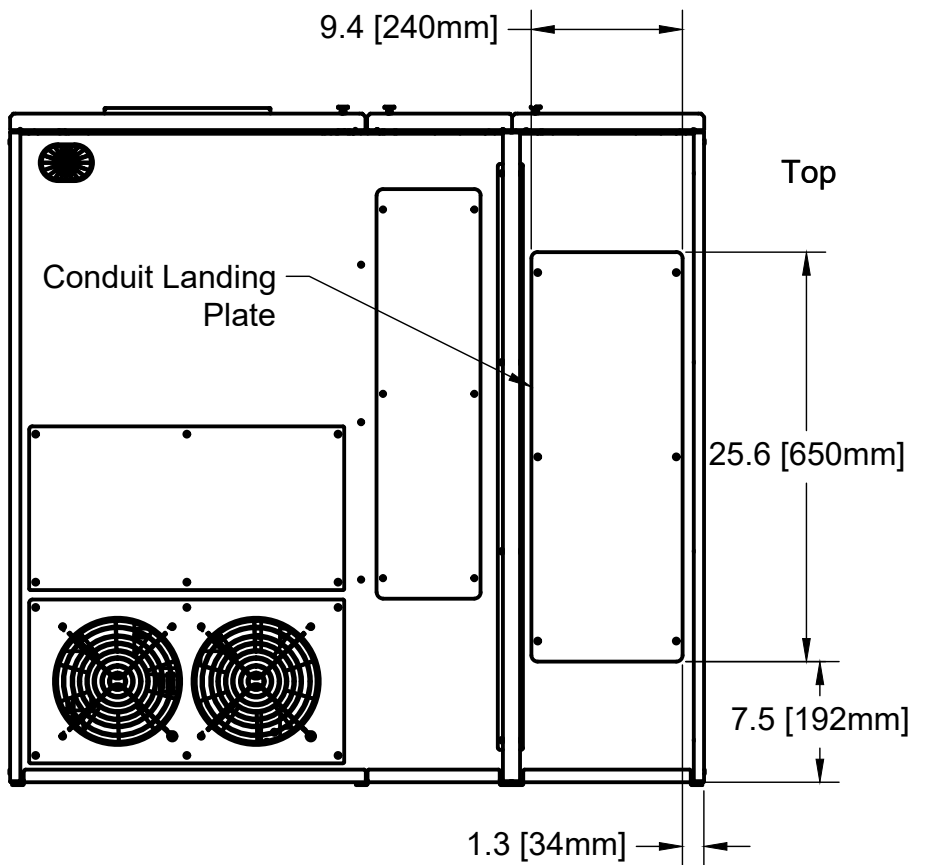
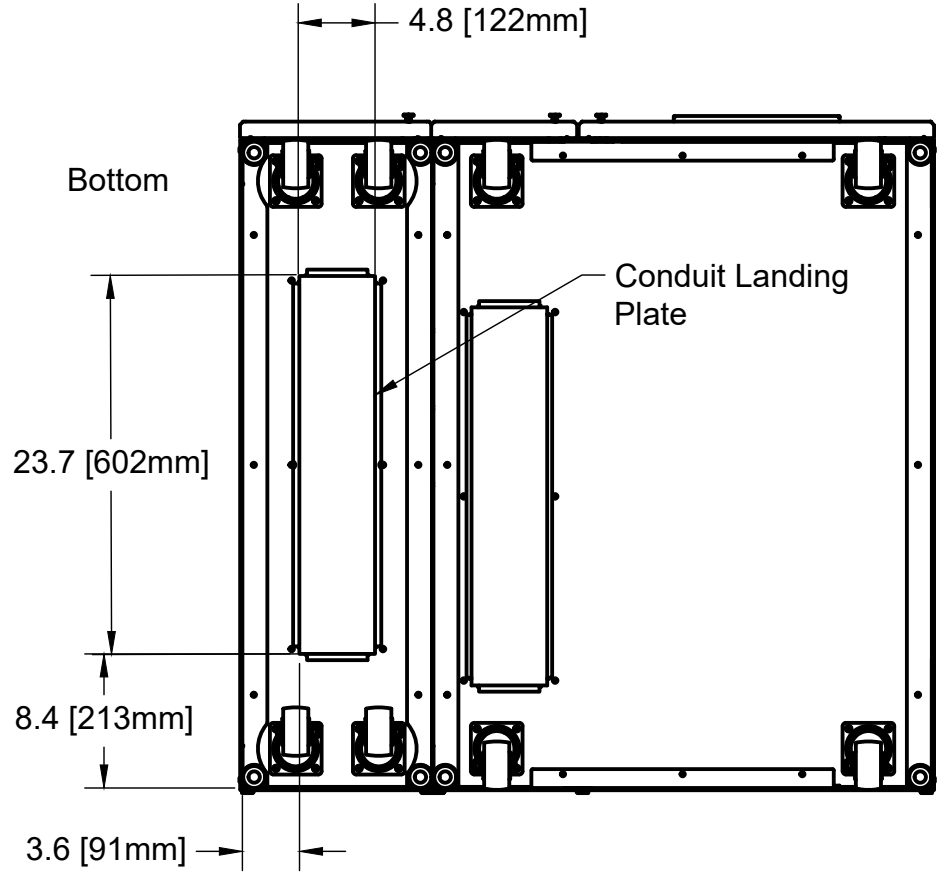


	PROJECT X90-5S			
	TITLE X90-5S with X90-SMB350 Outline			
APPROVED	SIZE	CODE	DWG NO	REV
CHECKED	A		X90-5S-wSMB350-OTL-480-480	0
DRAWN JB	2/22/2023	SCALE 1:18	WEIGHT	SHEET 1/3





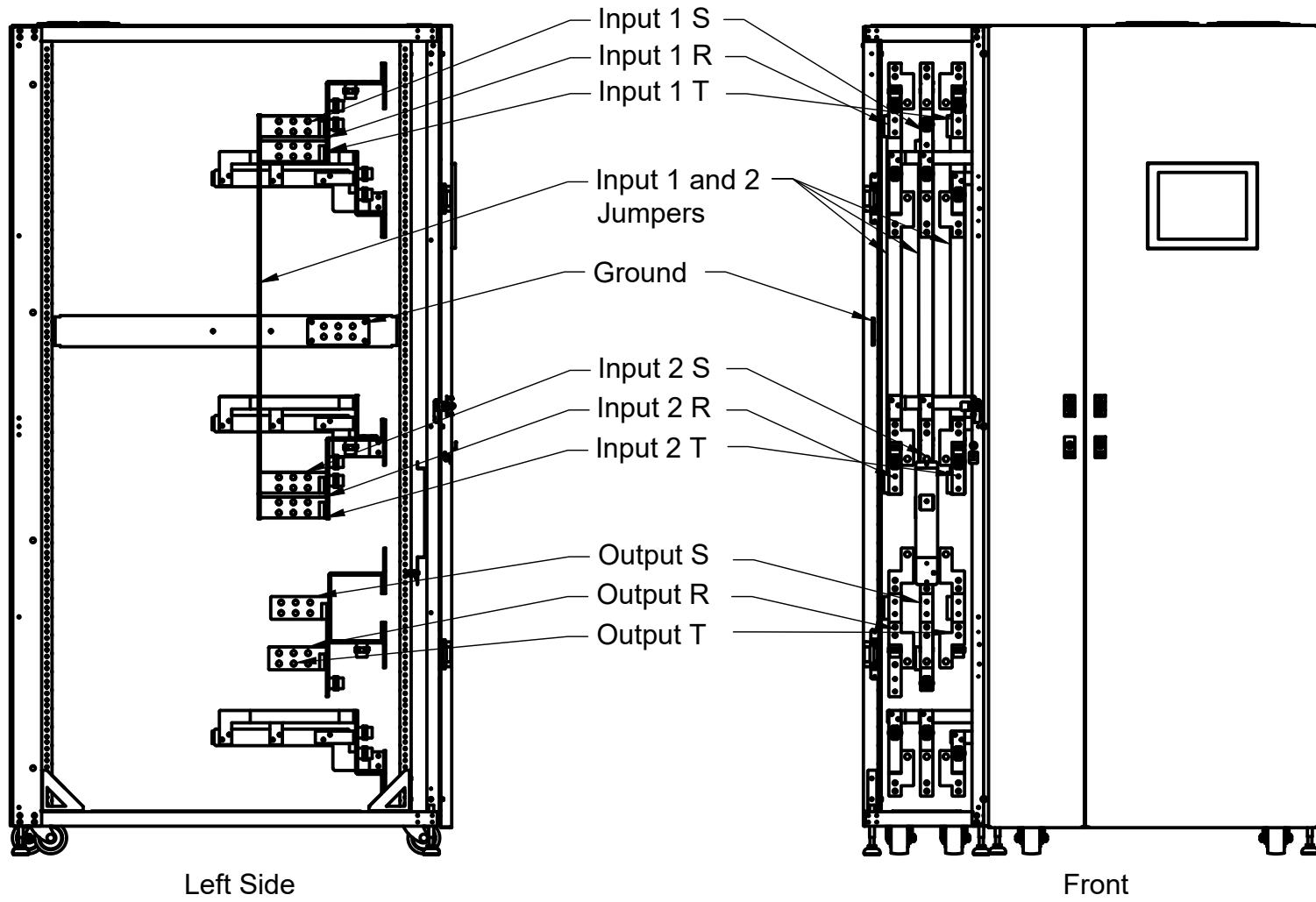
Front



Rear

	PROJECT			X90-5S
	TITLE			X90-5S with X90-SMB350 Outline
APPROVED	SIZE	CODE	DWG NO	REV
CHECKED	A		X90-5S-wSMB350-OTL-480-480	0
DRAWN	JB	2/22/2023	SCALE 1:12	WEIGHT
			SHEET 2/3	





Notes:  
 1) Breakers not shown.  
 2) Input 1 and 2 jumpers in UPS cabinet must be removed when installing SMB350.

	PROJECT X90-5S			
	TITLE X90-5S with X90-SMB350 Outline			
APPROVED	SIZE	CODE	DWG NO	REV
CHECKED	A		X90-5S-wSMB350-OTL-480-480	0
DRAWN JB	2/22/2023	SCALE 1:16	WEIGHT	SHEET 3/3